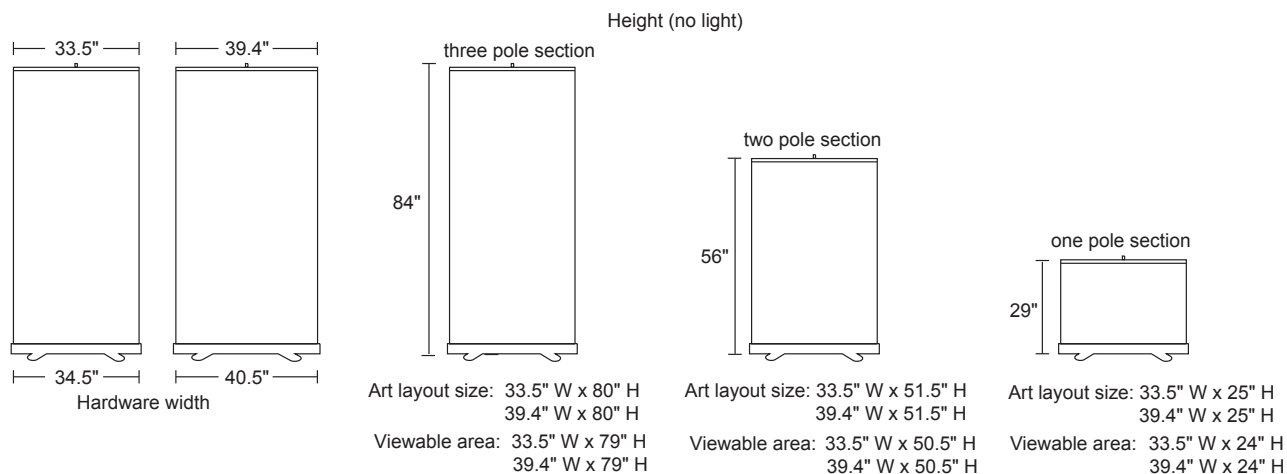


BRANDSTAND™ 1 & 2

Specifications

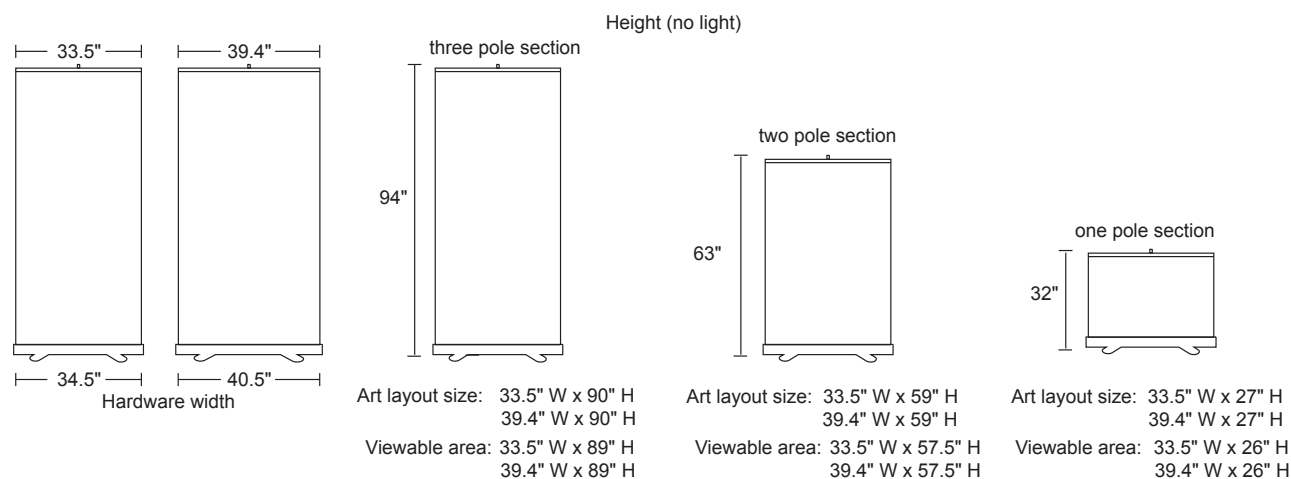


BrandStand with standard 80" pole



BrandStand with custom order 90" pole

90" pole is sold separately and comes in addition to the 80" pole.



NOTES:

- Critical art and text should not be within 1" of the sides and 1.25" of the top and bottom of the viewable area.
- Printers: Add an additional 6" of media to bottom for attachment to tension roller.
- See "Preparing Digital Files" for specific details on submitting art.

STAND	BOXED DIMENSIONS			lb/Unit
	W	H	D	
BrandStand 1 - 33.5"	6"	6"	36"	12
BrandStand 1 - 33.5" w/ Light	6"	6"	40"	14
BrandStand 2 - 33.5"	8"	8"	36"	19
BrandStand 2 - 33.5" w/ Light	6"	6"	40"	21
BrandStand 1 - 39.4"	6"	6"	42"	14
BrandStand 1 - 39.4" w/ Light	6"	6"	48"	16
BrandStand 2 - 39.4"	8"	8"	42"	21
BrandStand 2 - 39.4" w/ Light	6"	6"	48"	21
BrandStand Light	4"	3"	13"	2